

Careo 7055



24 ¹/₄ in x 11 ¹/₂ in or 615 mm x 290 mm

Technical datasheet

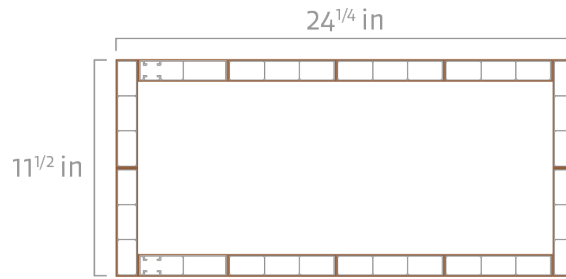


Careo 7055

WHS: Wood hybrid system

Geolam®

Architectural Eco-Technology



Section tolerances in mm: +/- 2.0 mm or +/- 3/32 in

The outer wpc layer is sanded. The provided dimensions are average thickness (as well for all drawing in that document)

Fire rating:

On request:

ASTM E-84 class A

Euroclass NF EN 135011 : B, s3-d0

Euroclass NF EN 135011 : A2, s3-d0

NFP 92 -507 : M2 or M1

Surfaces finish: Sanded

Other surface textures available on request. Sanding finish and/or shading may vary between runs. WPC thickness may vary in compliance with flame test requirements.

Profiles fastening and installation: Check our website www.geolam.com

Technical information may change without warning.

Standard length: 9 ft 10 in | 3.0 m

On order any length from: 7 ft to 19 ft 8 in | 2.15 m to 6 m

Weight: 16.67 lb/ft | 24.80 kg/m

Core in anodized aluminum alloy: A6063S-T5 Serie 6000

Coefficient of Thermal Expansion (20-100°C):

23.4 µm/m/°C

Modulus of Elasticity: 68.9 GPa

Max Tensile Strength: 186 Mpa

Carbon Footprint:

WPC : 1.54 kg CO₂/Kg WPC

Alu : 0.87 kg CO₂/Kg Alu



Teak



Limba



Rosewood



Wenge



Bilinga



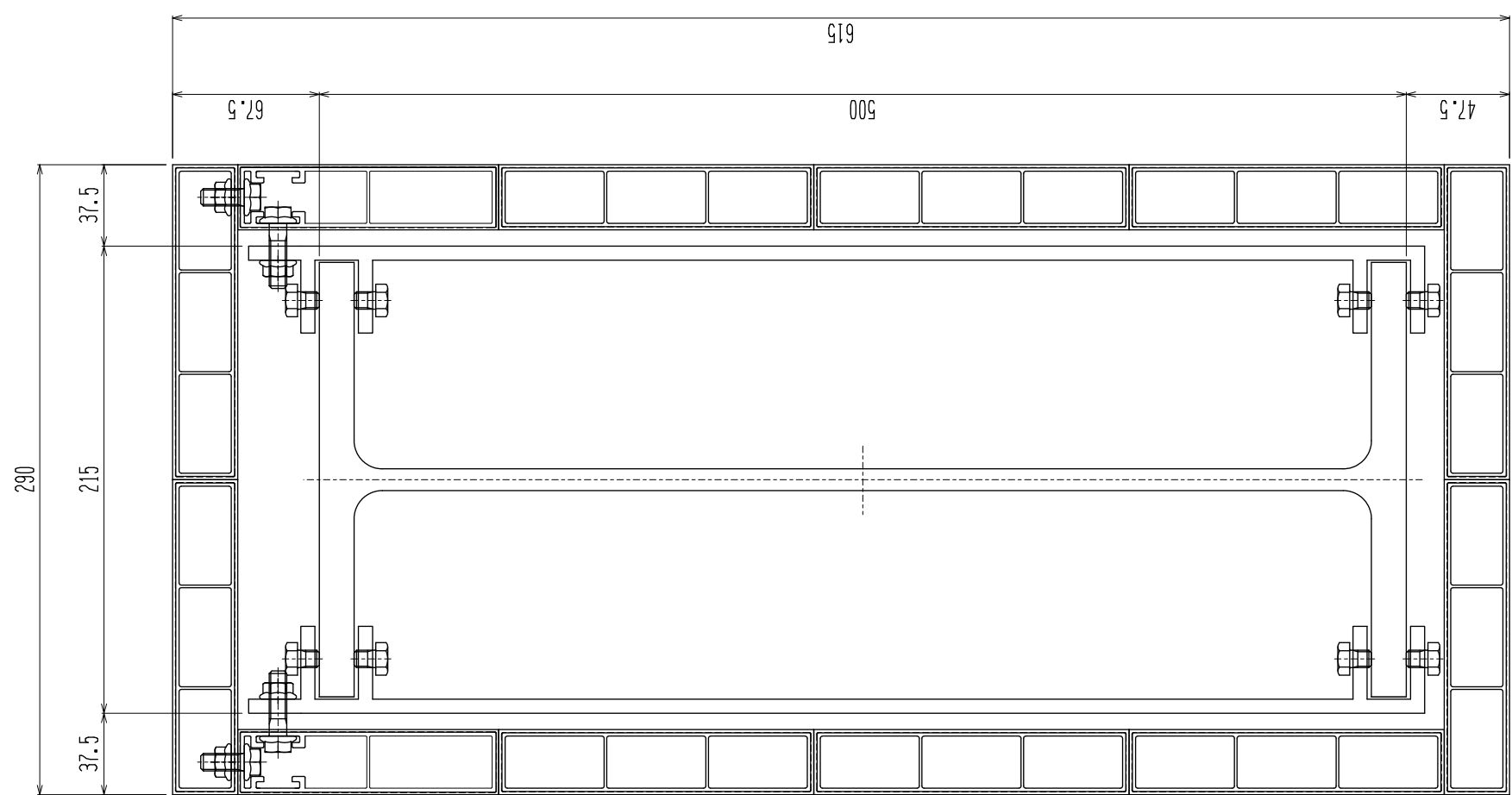
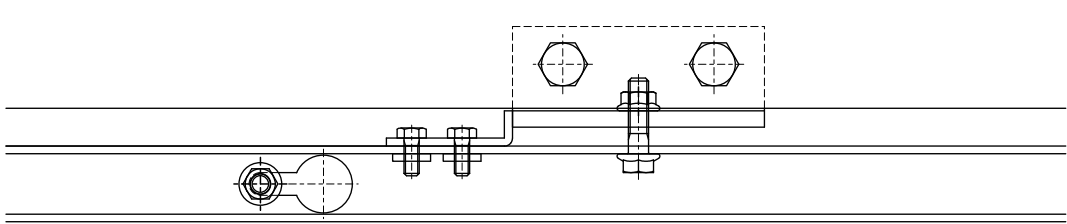
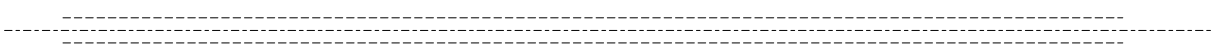
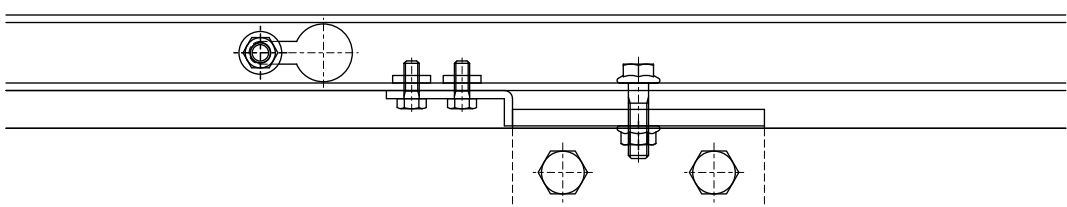
Carbon



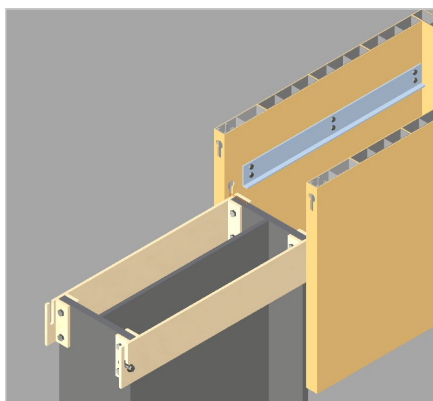
Ivory



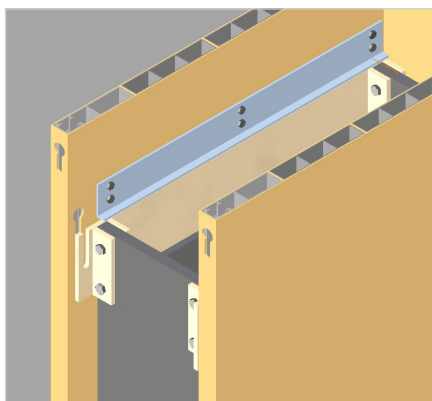
Any color on request



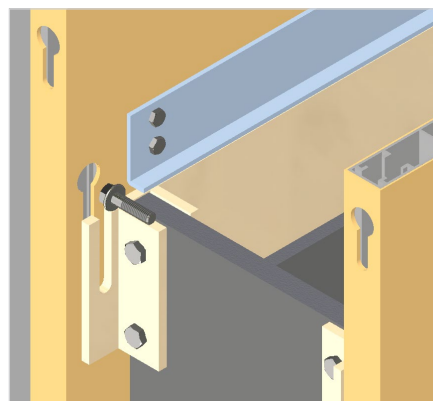
Careo 7055



1



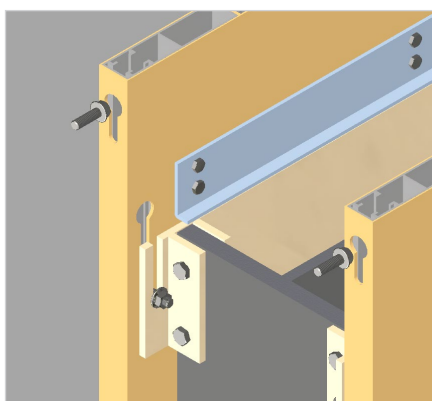
2



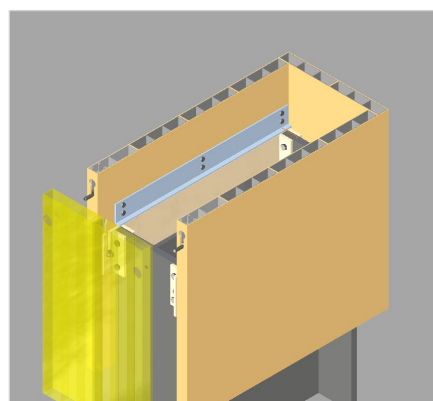
3



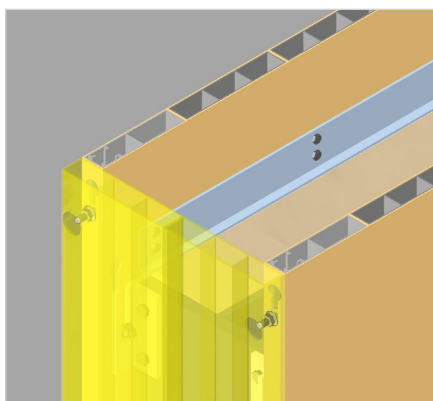
4



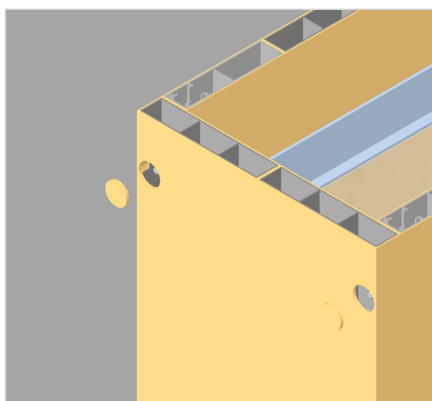
5



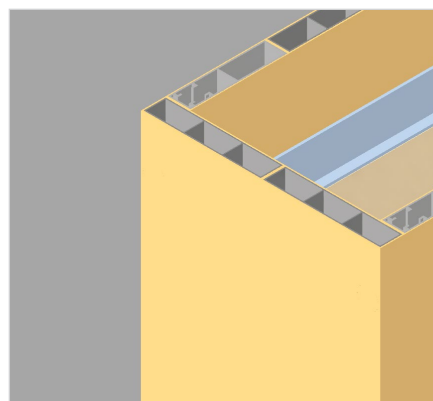
6



7



8



9

Détail de fixation du boulon à embase



1



2



3