



Rondo 3003



2 1/4 in x 2 1/4 in 56 mm x 56 mm

Technical datasheet

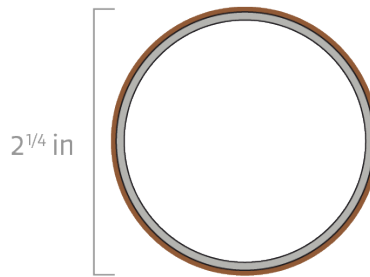


Rondo 3003

WHS: Wood hybrid system



Architectural Eco-Technology



Section tolerances in mm: +/- 2.0 mm or +/- 3/32 in

The outer wpc layer is sanded. The provided dimensions are average thickness (as well for all drawing in that document)

Fire rating:

On request:

ASTM E-84 class A

Euroclass NF EN 135011 : B, s3-d0

Euroclass NF EN 135011 : A2, s3-d0

NFP 92 -507 : M2 or M1

Surfaces finish: Sanded

Other surface textures available on request. Sanding finish and/or shading may vary between runs. WPC thickness may vary in compliance with flame test requirements.

Profiles fastening and installation: Check our website www.geolam.com

Technical information may change without warning.

Standard length: 9 ft 10 in | 3.0 m

On order any length from: 7 ft to 19 ft 8 in | 2.15 m to 6 m

Weight: 0.77 lb/ft | 1.14 kg/m

Secondary moment Ix (cm⁴): 10.43

Secondary moment Iy (cm⁴): 10.43

Section modulus Z+x (cm³): 3.94

Section modulus Z-x (cm³): 3.94

Section modulus Z+y (cm³): 3.94

Section modulus Z-y (cm³): 3.94

Core in anodized aluminum alloy: A6063S-T5 Serie 6000

Coefficient of Thermal Expansion (20-100°C):

23.4 μm/m/°C

Modulus of Elasticity: 68.9 GPa

Max Tensile Strength: 186 Mpa

Carbon Footprint:

WPC : 1.54 kg CO₂ /Kg WPC

Alu : 0.87 kg CO₂ /Kg Alu



Teak



Limba



Rosewood



Wenge



Bilinga



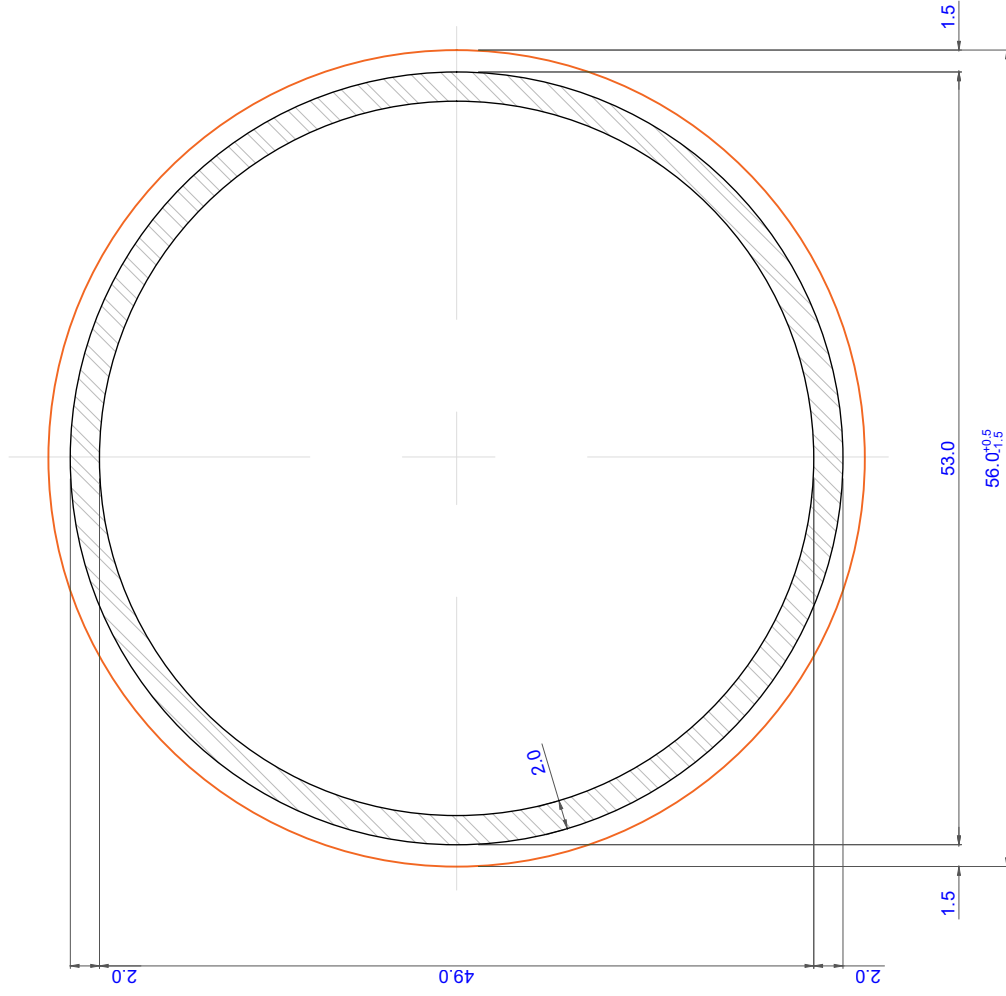
Carbon



Ivory



Any color on request



Technical specifications, dimensions in mm

Weight (kg/ml)	1.14
Cross section, secondary moment Ix (cm ⁴)	10.43
Cross section, secondary moment Iy (cm ⁴)	10.43

Cross section coefficient Z+x (cm ³)	3.94
Cross section coefficient Z-x (cm ³)	3.94
Cross section coefficient Z+y (cm ³)	3.94
Cross section coefficient Z-y (cm ³)	3.94

Wood hybrid system WHS

3.94

Type 1.0

Rondo 3003	
-------------------	--